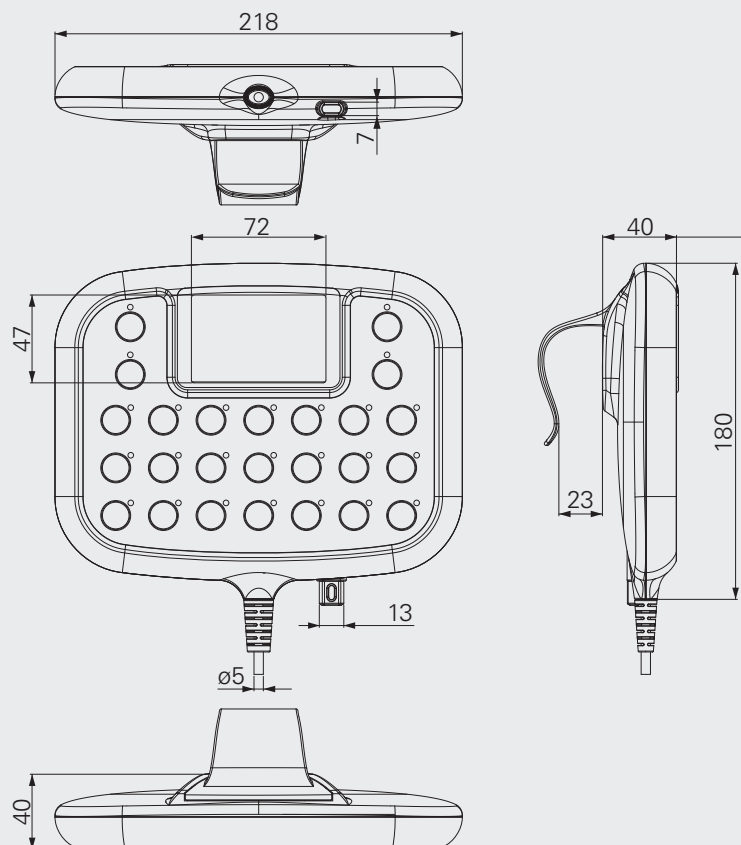




● Care-motion

Feature

- Maximum available buttons: 25
- Control up to 7 channels in connection with TC8
- Protection class: IP42, IP54, or IP66
- Can hook on the rail
- Can be used as lock-out box
- LCD monitor design
- Option: safety key



TNP5 Ordering Key:

Version: A

REV.A	T	N	P	5	-	X	X	-	X	X	X
Plug											
DIN 8P, 90°				1							
RJ 10P, 90°				2							
DIN 8P, 180°				4							
RJ 10P, 180°				5							
Customized				A							
Color											
Black									1		
Grey (Pantone 428C)									2		
IP protection											
IP42											1
IP54											2
IP66											3
Safety Key											
Without											0
With											1
Key definition											
Customized											A
Cable length											
1~; see appendix											1~
Customized											A

Version	Date	Description
A	2011/12/28	1st released

Printed: Jan. 2012

**Appendix:
Standard Keypad:**



Cable Length:

CODE	Length (mm)		
	A	B	C
1	1000	300	200
2	1200	300	300
3	1400	300	400
4	2400	0	0
5	0	600	0
6	1000	200	200
A	Customized		

