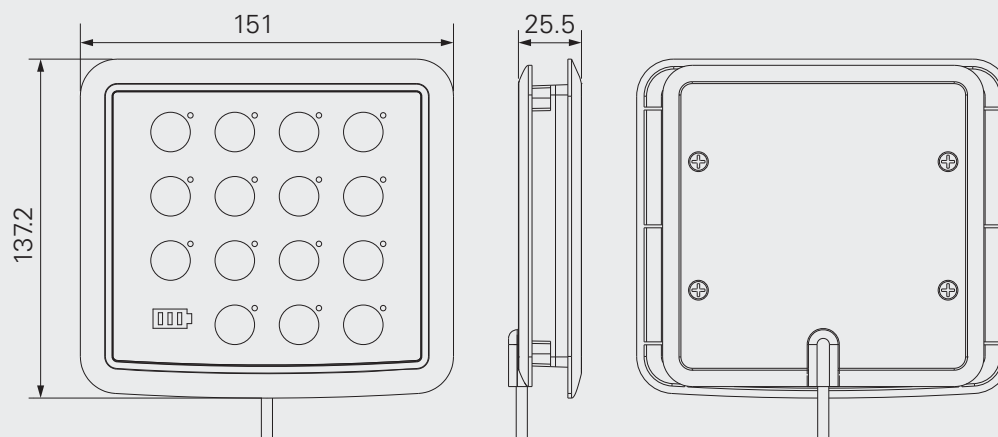




## ● Care-motion

### Feature

- Maximum available buttons: 15
- Control up to 7 channels in connection with TC8
- Protection class: IP66
- Mounted into side rail or foot board directly
- Can be used as lock-out box
- Option: back cover



**TNP4 Ordering Key:**

Version: B

REV.B	T	N	P	4	X	X	X	X	X	X
<b>Plug</b>										
DIN 8P, 90°, for TC2 / TC3					1					
RJ 10P, 90° for TC1					2					
DIN 8P, 180°, for extension cable					4					
RJ 10P, 180°, for TC6 / TC9 / extension cable					5					
Customized					A					
<b>Color</b>										
Black						1				
Grey (Pantone 428C)						2				
<b>IP protection</b>										
IP66							3			
<b>Back cover</b>										
Without								0		
With								1		
<b>Key definition</b>										
Customized									A	
<b>Cable length</b>										
1~; see appendix										1~
Customized										A

Version	Date	Description
B	2011/6/22	Cancel IP protection option #1#2. All series are IP66

Printed: Nov.2011

**Appendix:  
Standard Keypad:**



**Cable Length:**

CODE	Length (mm)		
	A	B	C
1	1000	300	200
2	1200	300	300
3	1400	300	400
4	2400	0	0
5	0	600	0
6	1000	200	200
A	Customized		

