

TL5

series



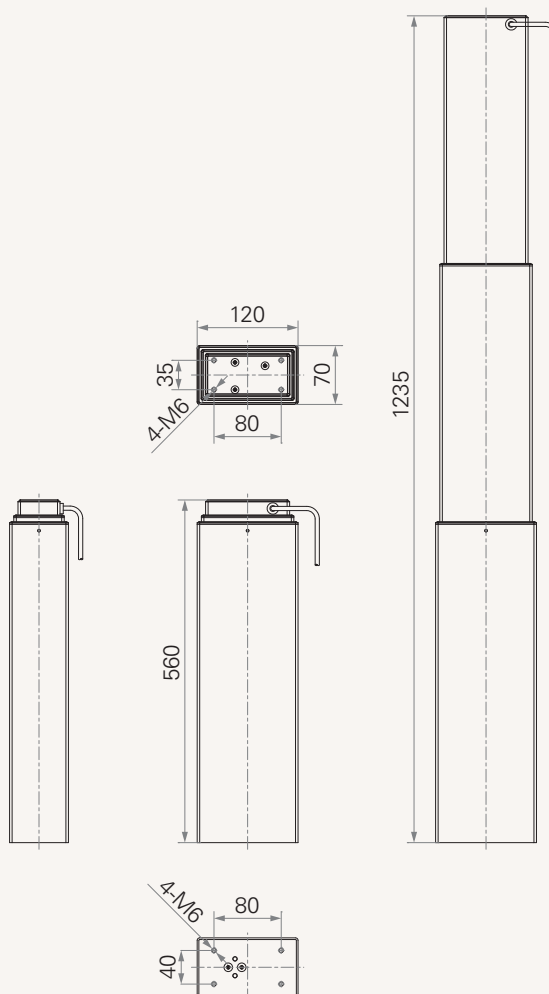
Product Segments

- **Ergo Motion**

Maximum load	500N in push
Maximum speed	57.0mm/s
Minimum installation dimension	560mm
Dimension of outer tube(L*W)	120*70 mm
Stroke	675 mm
Current at rated load	3.2A
Color	Black, white or grey

Drawing

Standard Dimension



Load and Speed

CODE	Rated Load	Self Locking N (PUSH)	Typical Current at Rated Load (A)	Typical Speed	
	PUSH N			No Load (32V DC) mm/s	Rated Load (24V DC) mm/s
Motor Speed (3800RPM)					
A	500	2000	3.2	57.0	26.0

Note

1 The left diagram shows the speed and current figures under pushing condition.

Terms of Use

The user is responsible for determining the suitability of TiMOTION products for a specific application.

Due to continuous development in order to improve our products, TiMOTION products are subject to frequent modifications and changes without prior notice.

TiMOTION reserves the right to discontinue the sale of any products displayed on its website or listed in its catalogue or other written materials drawn up by TiMOTION.

TL5

<input type="checkbox"/>	Voltage	2 = 24V			
<input type="checkbox"/>	Load and Speed	See appendix			
<input type="checkbox"/>	Stroke	675mm			
<input type="checkbox"/>					
<input type="checkbox"/>					
<input type="checkbox"/>	Retracted Length	560mm			
<input type="checkbox"/>					
<input type="checkbox"/>					
<input type="checkbox"/>	Color	1 = Black (RAL 9005)	2 = Grey (RAL 9006)	3 = White (RAL 9016)	
<input type="checkbox"/>	Functions for Limit Switches	0 = Without		3 = Two switches at the retracted/extended positions to send signal	
		1 = Two switches at the retracted/extended positions to cut current		4 = Two switches at the retracted/extended positions and the third one in between to send signal	
		2 = Two switches at the retracted/extended positions to cut current with the third one in between to send signal			
<input type="checkbox"/>	Output Signals	0 = Without		2 = Two Hall sensors	
<input type="checkbox"/>	Plug	1 = TiMOTION's standard 6pin plug		E = Molex plug 8pin	
		2 = Tinned leads		A = Customized	
<input type="checkbox"/>	Cable Length	1 = Straight, 400mm	3 = Straight, 1000mm	5 = Straight, 2000mm	7 = Coiled, 400mm
		2 = Straight, 600mm	4 = Straight, 1500mm	6 = Coiled, 200mm	A = Customized
<input type="checkbox"/>	Cable Out Position	1 = From the top		2 = From the bottom	