

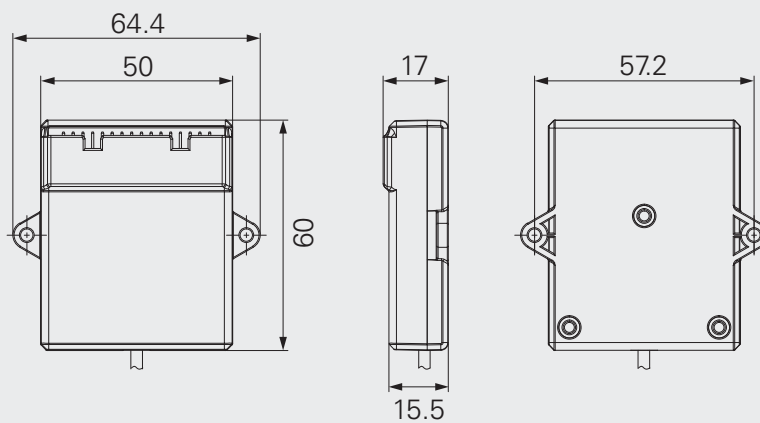
+



Feature

- Junction box
- Function with membrane switch
- Max. membrane switches: 2
- Max. buttons: 25
- Max. indicator lights: 18

+



+

TJB3 Ordering Key

Version: B

REV.B	T	J	B	3	X	X	X	X	X
Program ID									
91 : TJB3-1XXXX, which means the program ID is 91					1				
92 : TJB3-2XXXX, which means the program ID is 92					2				
93 : TJB3-3XXXX, which means the program ID is 93					3				
Remark 1: the above numbers (1,2,3) represents the program ID, not the quantity of TJB3.									
Remark 2: one (1) TJB3 can only have one (1) program ID.									
Remark 3: one (1) control box can only support three (3) sets of TJB3.									
Housing									
Without						0			
With						1			
Plug									
DIN 8P, for TC2 / TC3 / TC7								1	
RJ 10P,90° , for TC1 / TC10 / TC8								2	
DIN 8P,180° , for extension cable								4	
RJ 10P,180° , for TC 6/ TC9 / extension cable								5	
Customized								A	
Color									
Black									1
Grey (Pantone 428C)									2
Cable length									
600mm									1
1000mm									2
1500mm									3
2000mm									4
3000mm									5
Customized									A

Version	Date	Description
B	2012/7/17	Modify the wording of program ID options