

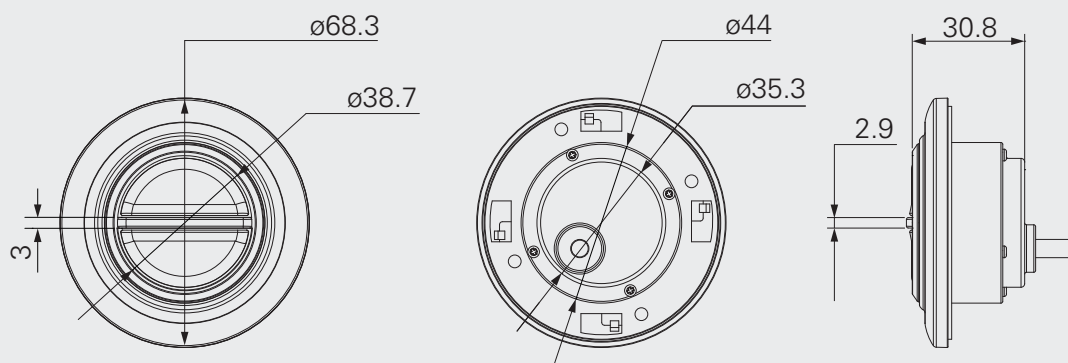
TH5 Series



○ Comfort-motion

Feature

- Maximum available buttons: 2
- Color: black or grey
- Mounted into the recliner directly



TH5 Ordering Key:

Version: D

REV.D	T	H	5 -	X	X	X
Plug						
DIN 5P, for TDC				1		
DIN 8P, for TC2 / TC3 / TC7				2		
DIN 8P, 180°, for connector				4		
RJ 10P, 180°, for TC6 / TC9 / connector				5		
Customized				A		
Color						
Black					1	
Grey (Pantone 428C)					2	
Cable length						
Straight, 1.5m						1
Straight, 2m						2
Customized						A
Version						
D						
Date		Description				
2011/6/22		Revise plug option #4 and add #5				

Printed: Nov. 2011