

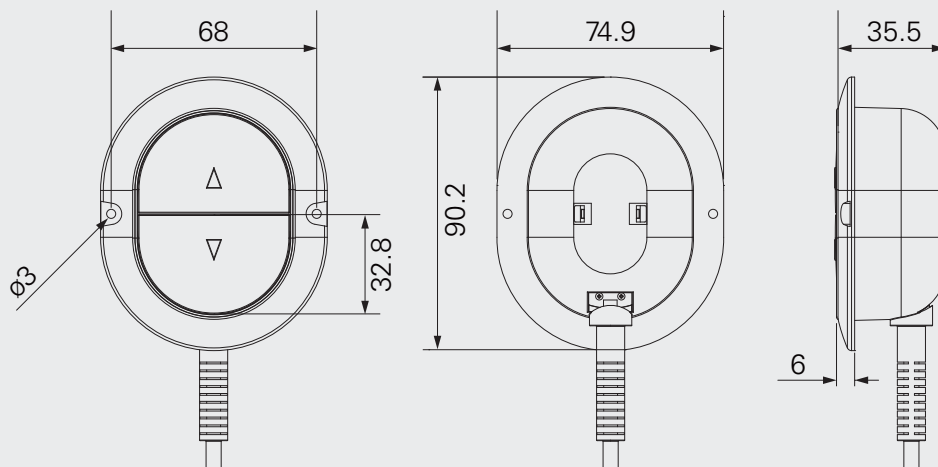
TH4 Series



Comfort-motion

Feature

- Connected actuators: 1~2
- Maximum available buttons: 4
- Color: black or grey
- Mounted into the recliner directly
- Option: back light



TH4 Ordering Key:

Version: E

REV.E	T	H	4 -	X	X	X -	X	X
Back light								
Without				0				
With				1				
Number of Actuators								
1					1			
2					2			
Plug								
DIN 5P, for TDC						1		
DIN 8P, for TC2 / TC3 / TC7						2		
DIN 8P, 180°, for connector						4		
RJ 10P, 180°, for TC6 / TC9 / connector						5		
Customized						A		
Color								
Black							1	
Grey (Pantone 428C)							2	
Cable length								
Straight, 1.5m								1
Straight, 2m								2
Customized								A
Version			Date			Description		
E			2011/6/20			Add plug option #4 #5		