

# TH30

series



---

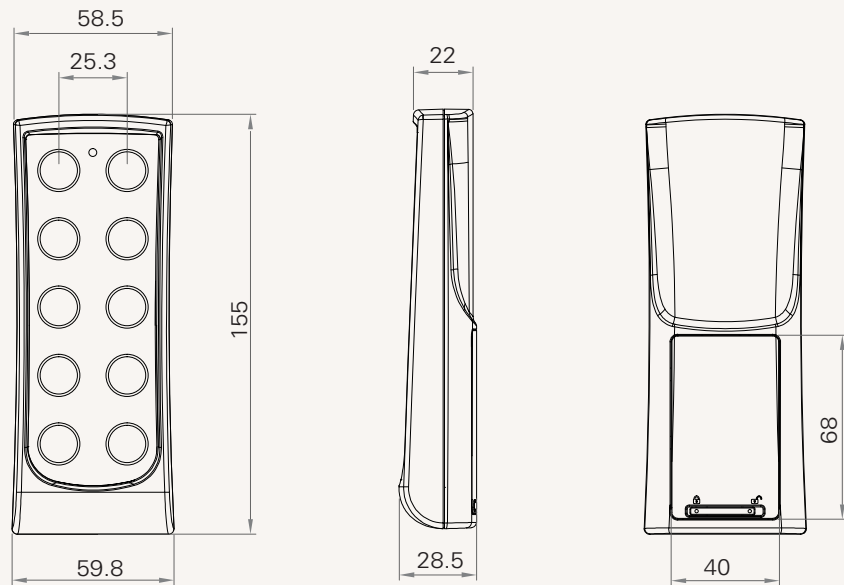
## Product Segments

### • Care Motion

Connected actuators	1~4
Maximum available buttons	10
With wireless function	IEEE802.15.4 standard
Working with wireless receiver	TRF2
Operating distance	3~7m
Color	black or grey
Certificate	IEC60601-1

**Drawing**

Standard Dimension

**Terms of Use**

The user is responsible for determining the suitability of TiMOTION products for a specific application.

Due to continuous development in order to improve our products, TiMOTION products are subject to frequent modifications and changes without prior notice.

TiMOTION reserves the right to discontinue the sale of any products displayed on its website or listed in its catalogue or other written materials drawn up by TiMOTION.

TH30

Version: 20130805-B

<input type="checkbox"/>	<b>Communication Protocols</b>	1 = IEEE 802.15.4			
<input type="checkbox"/>	<b>Number of Actuators</b>	1 = 1	2 = 2	3 = 3	4 = 4
<input type="checkbox"/>	<b>Color</b>	1 = Black		2 = Grey (Pantone 428C)	
<input type="checkbox"/>	<b>Key Definition</b>	A-I = See appendix*		1 = Customized	

Note: please contact TIMOTION before making an order