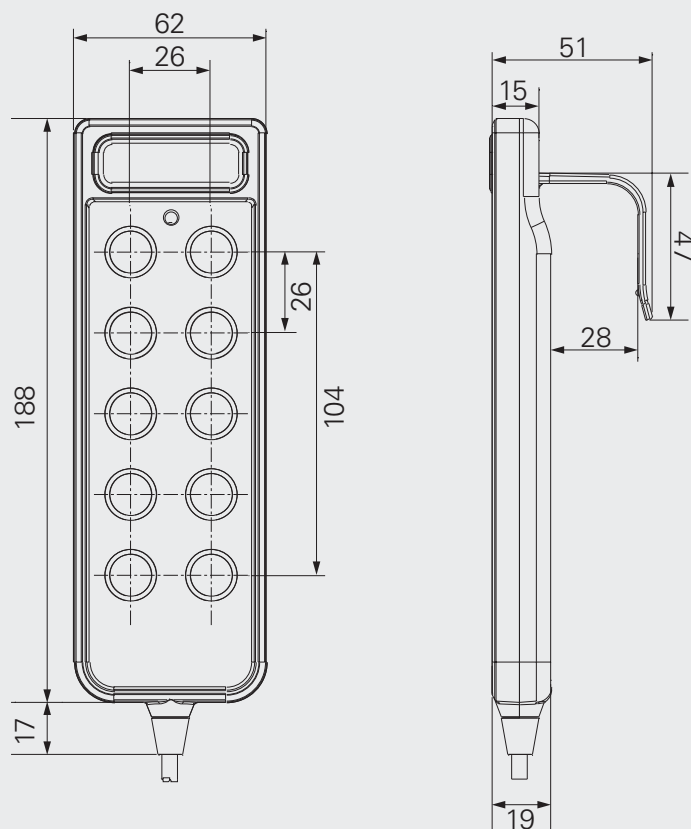




○ Care-motion

Feature

- Connected actuators: 1~4
- Maximum available buttons: 10
- Color: black or grey
- Protection class: IP42, IP54, or IP66
- Standard or customized hook
- LED indication
- Option: safety key



TH2 Ordering Key:

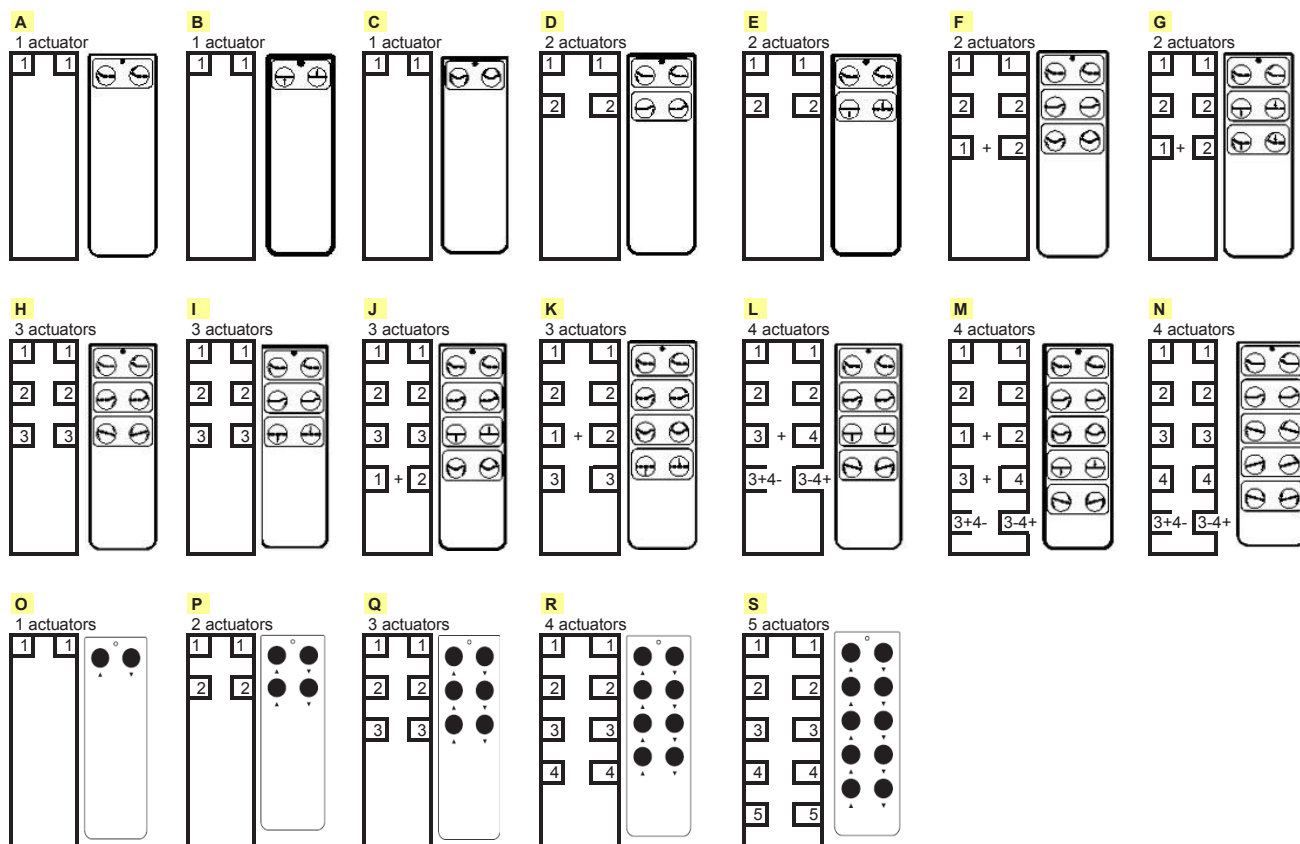
Version: H

REV.H	T	H	2	-	X	X	X	-	X	X	X	X
Number of actuators												
1					1							
2					2							
3					3							
4					4							
Plug												
DIN 8P, for TC2 / TC3 / TC7					1							
RJ 10P, 90°, for TC1 / TC8 / TC10					2							
DIN 8P, 180°, for extension cable					4							
RJ 10P, 180°, for TC6 / TC9 / extension cable					5							
Customized					A							
Color												
Black						1						
Grey (Pantone 428C)						2						
IP protection												
IP42								1				
IP54								2				
IP66								3				
Safety key												
Without									0			
With									1			
Hook												
None										0		
Standard (for φ30mm bar)										1		
Key definition												
A~; see appendix												A~
Customized												1
Cable length												
1~; see appendix												1~
Customized												A

Version	Date	Description
H	2012/11/6	Minor revision

Appendix:

Key Definition:



Note: The button is black, the bed is Pantone 428C

Cable Length:

CODE	Length (mm)		
	A	B	C
1	1000	300	200
2	1200	300	300
3	1400	300	400
4	2400	0	0
5	0	600	0
6	1000	200	200
A	Customized		

