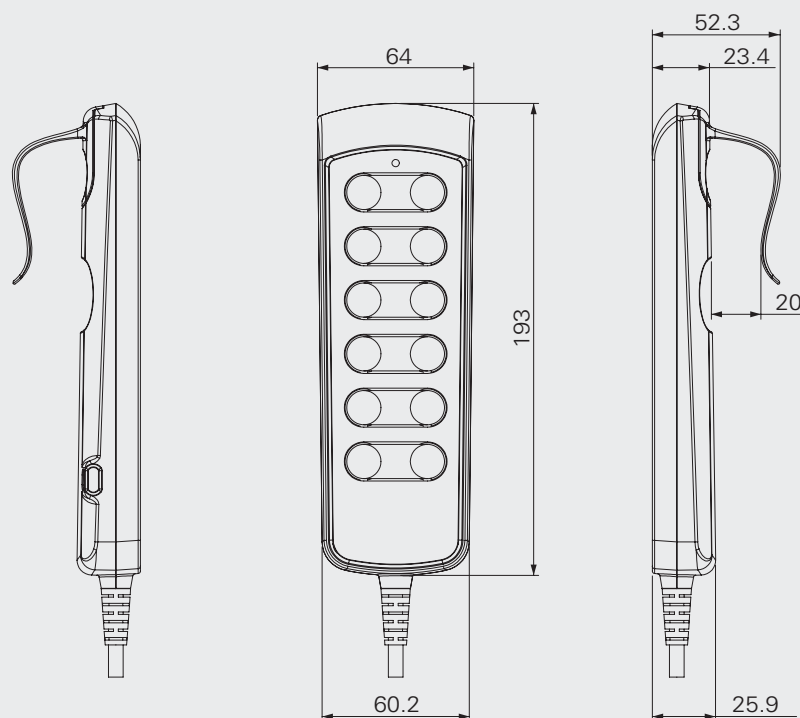




○ Care-motion

Feature

- Connected actuators: 1~5
- Maximum available buttons: 12
- Color: black or grey
- Protection class: IP42, IP54, or IP66
- Options: back light, safety key



TH12 Ordering

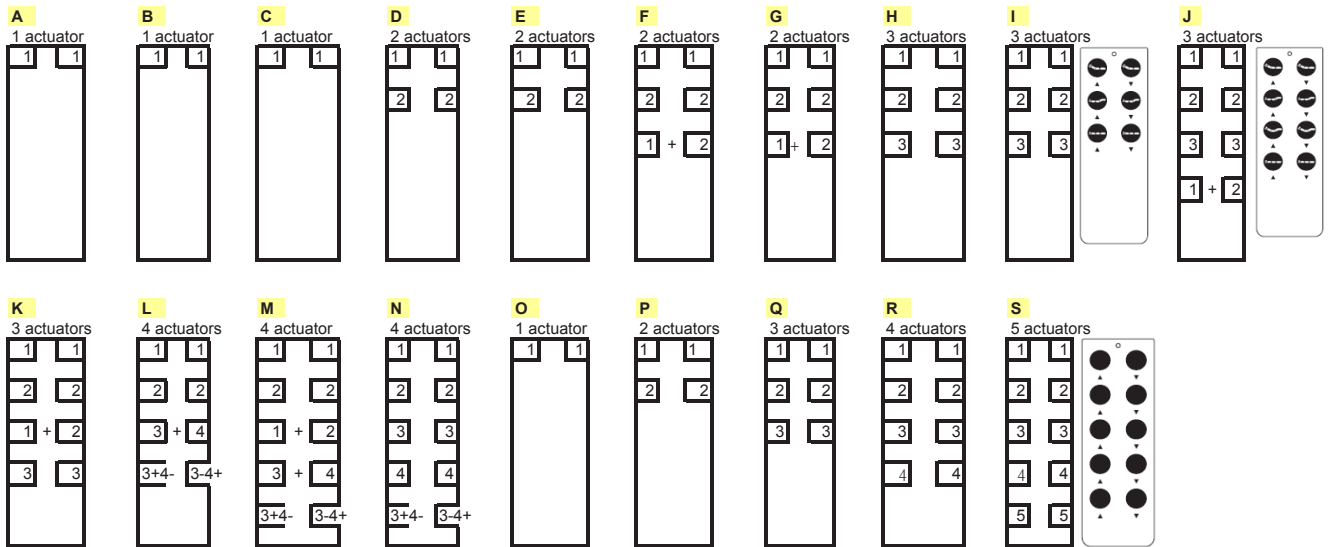
Version: D

REV.D	T	H	1	2	-	X	X	X	X	-	X	X	X
Back light													
Without						A							
With						B							
Number of actuators													
1							1						
2							2						
3							3						
4							4						
5							5						
Plug													
DIN 8P, for TC2 / TC3 / TC7								1					
RJ 10P, 90°, for TC1 / TC8 / TC10								2					
DIN 8P, 180°, for extension cable								4					
RJ 10P, 180°, for TC6 / TC9 / extension cable								5					
Customized								A					
Color													
Black									1				
Grey (Pantone 428C)									2				
IP protection													
IP42										1			
IP54										2			
IP66										3			
Safety key													
Without												0	
With												1	
Key definition													
A~; see appendix													A~
Customized													1
Cable length													
1~; see appendix													1~
Customized													A

Version	Date	Description
D	2012/11/6	Minor revision

Appendix:

Function Definition:



Cable Length:

CODE	Length (mm)		
	A	B	C
1	1000	300	200
2	1200	300	300
3	1400	300	400
4	2400	0	0
5	0	600	0
6	1000	200	200
A	Customized		

