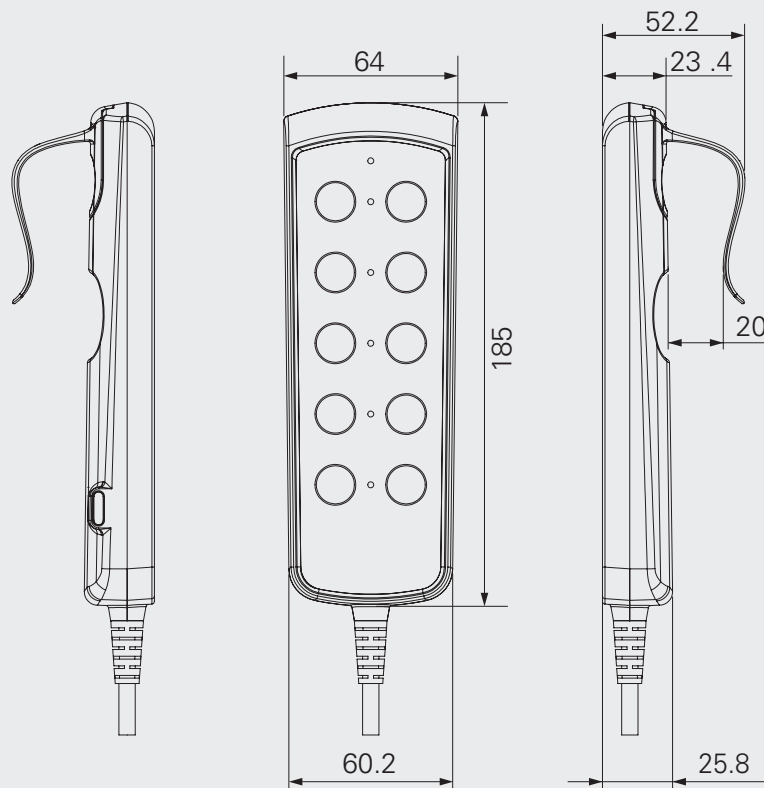




● Care-motion

Feature

- Connected actuators: 1~4
- Maximum available buttons: 10
- Color: black or grey
- Protection class: IP42, IP54, or IP66
- Options: back light, safety key



TH10 Ordering Key:

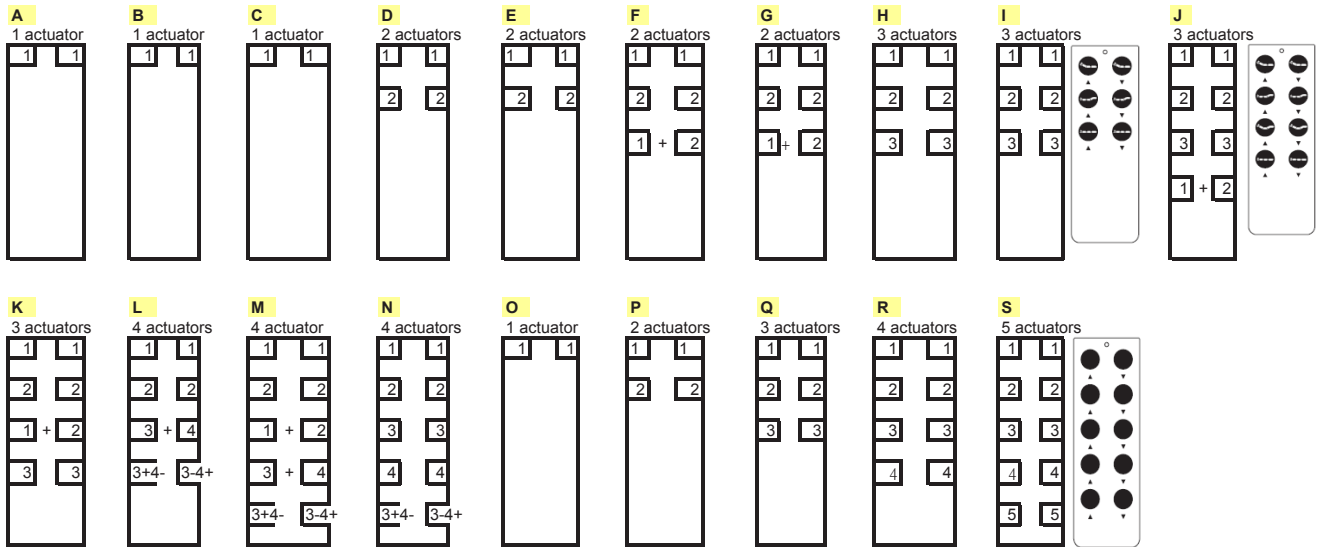
Version: D

REV.D	T	H	1	0	-	X	X	X	-	X	X	X												
Back light																								
Without	A																							
With	B																							
Number of actuators																								
1	1																							
2	2																							
3	3																							
4	4																							
Plug																								
DIN 8P, for TC2 / TC3 / TC7						1																		
RJ 10P, 90°, for TC1 / TC8 / TC10						2																		
DIN 8P, 180°, for extension cable						4																		
RJ 10P, 180°, for TC6 / TC9 / extension cable						5																		
Customized						A																		
Color																								
Black								1																
Grey (Pantone 428C)								2																
IP protection																								
IP42										1														
IP54										2														
IP66										3														
Safety key																								
Without											0													
With											1													
Key definition																								
A~; see appendix											A~													
Customized											1													
Cable length																								
1~; see appendix												1~												
Customized												A												

Version	Date	Description
D	2012/11/6	Minor revision

Appendix:

Key Definition:



Cable Length:

CODE	Length (mm)		
	A	B	C
1	1000	300	200
2	1200	300	300
3	1400	300	400
4	2400	0	0
5	0	600	0
6	1000	200	200
A	Customized		

