

# TC15

series



---

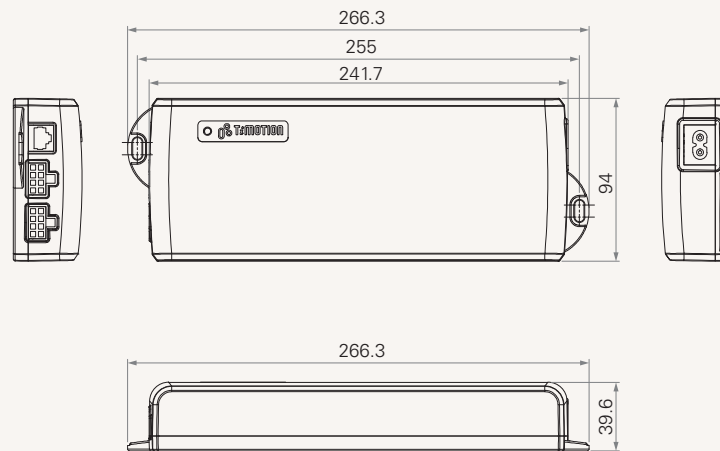
## Product Segments

### • Ergo Motion

|  |                                      |
|--|--------------------------------------|
| Built-in transformer type                                  | SMPS                                 |
| Maximum output   | 29V DC, 10.0A                        |
| Plug support   | EU, USA, AUS, UK, JPN, or customized |
| Number of actuators  | 2                                    |
| Color  | black or grey                        |
| 0.06W standby power consumption                            |                                      |
| Especially designed for adjustable height desk application |                                      |
| Support synchronous movement                               |                                      |

**Drawing**

Standard Dimension

**Terms of Use**

The user is responsible for determining the suitability of TiMOTION products for a specific application.

Due to continuous development in order to improve our products, TiMOTION products are subject to frequent modifications and changes without prior notice.

TiMOTION reserves the right to discontinue the sale of any products displayed on its website or listed in its catalogue or other written materials drawn up by TiMOTION.

TC15

Version: 20130510-B



**Plug**

1 = EU

3 = AUS

5 = JPN

2 = USA

4 = UK

A = Others



**Color**

1 = Black

2 = Grey (Pantone 428C)



**Cable Length**

1 = Straight, 1500mm

2 = Straight, 2000mm

3 = Straight, 4000mm

A = Customized