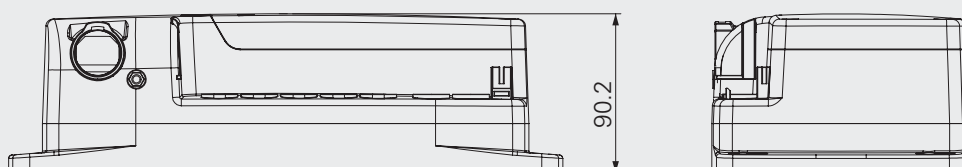
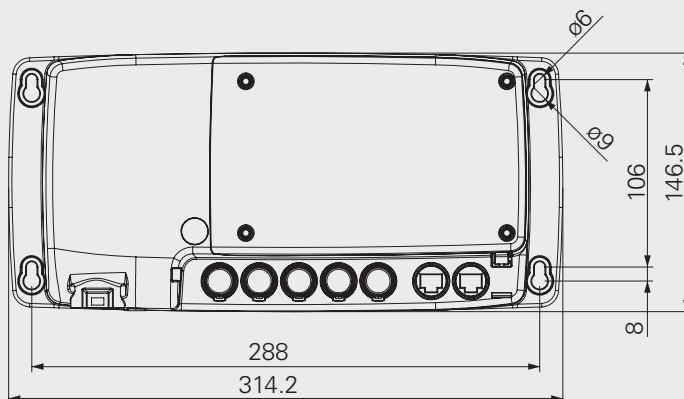




● Care-motion

Feature

- Voltage: 100V AC, 120V AC, or 230V AC
- Plug support: EU, USA, AUS, UK, JPN, or customized
- Number of actuators: 1~5
- Number of handsets: 1~2
- Color: black or grey
- Protection class: IP42, IP54, or IP66
- EN60601-1 and UL60601-1 compliant
- Built-in transformer type: toroidal or SMPS
- Maximum output: 29V DC, 5A
- Built-in power saving module
- Other options: built-in battery and alarm buzzer



REV. C	T	C	1	0	-	X	X	X	-	X	X	-	X	X	X	
Voltage																
100VAC																
120VAC																
230VAC																
Plug																
EU																
USA																
AUS																
UK																
JPN																
Others																
Number of actuators																
1																
2																
3																
4																
5																
Handset input																
1																
2																
Back up battery																
Without																
With (1.2Ah)																
Color																
Black																
Grey (Pantone428C)																
AC cable length																
Straight, 2000mm																
Straight, 4000mm																
Customized																
IP protection																
IP42																
IP54																
IP66																
Buzzer																
Without																
With																
TCM (automatic stand-by when not in use)																
Without																
With																
Grounding function																
Without																
With																

Version	Date	Description
C	2012/10/8	1. Unify the length unit: mm 2. Put notes on Back Up Battery option