

+

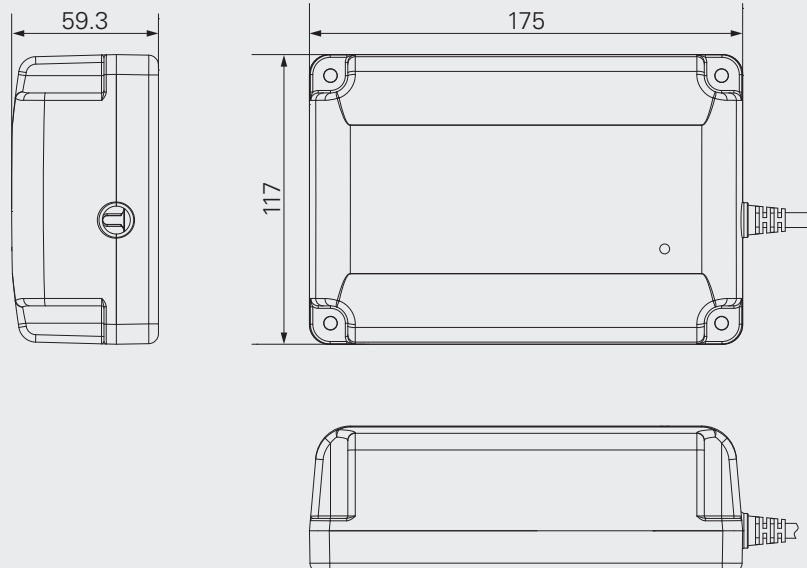
○ Care-motion

Feature

- Capacity: 1.2 Ah
- Color: black or grey
- LED indication (for charge/discharge status)
- Protection class: IP66



+



+