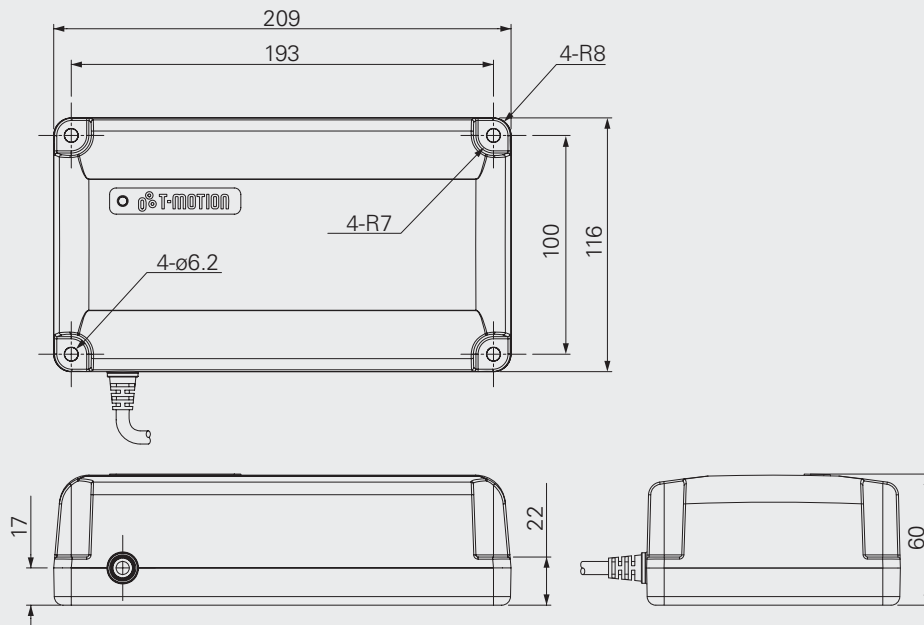




○ Care-motion

Feature

- Capacity: 2.0 Ah
- Color: black or grey
- LED indication (for charge/discharge status)
- Protection class: IP66



TBB Ordering Key

Version: A

REV.A	T	B	B	-	X	X
Color						
Black					1	
Grey(Pantone 428C)					2	
Cable length						
Straight, 1m						1
Straight, 2m						2
Customized						A

Version	Date	Description
A	2008/5/7	1st released

Printed: Dec.2011