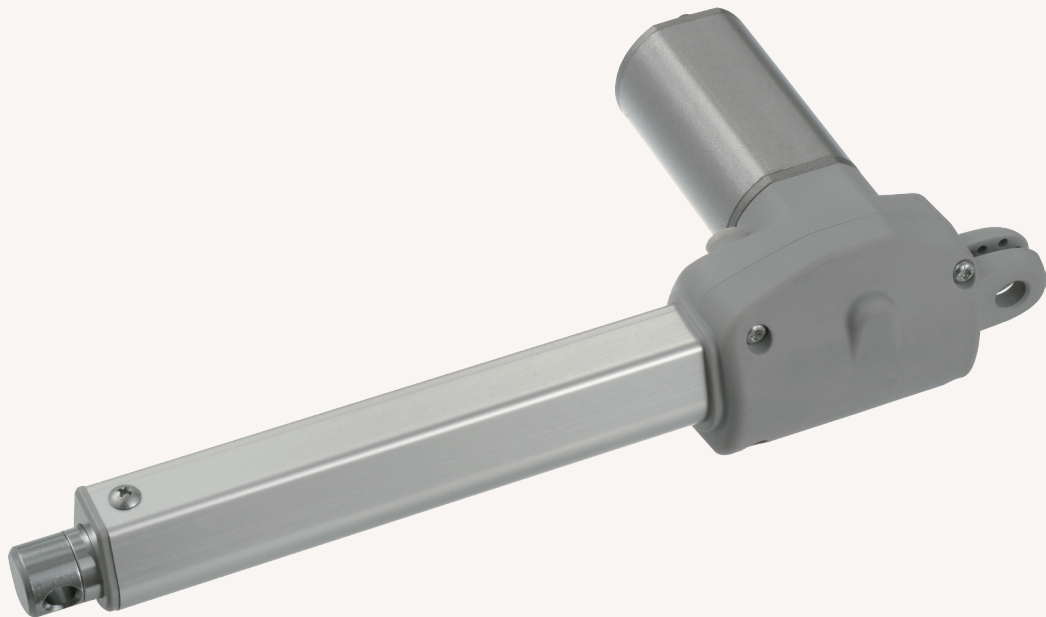


TA9

series



Product Segments

• Comfort Motion

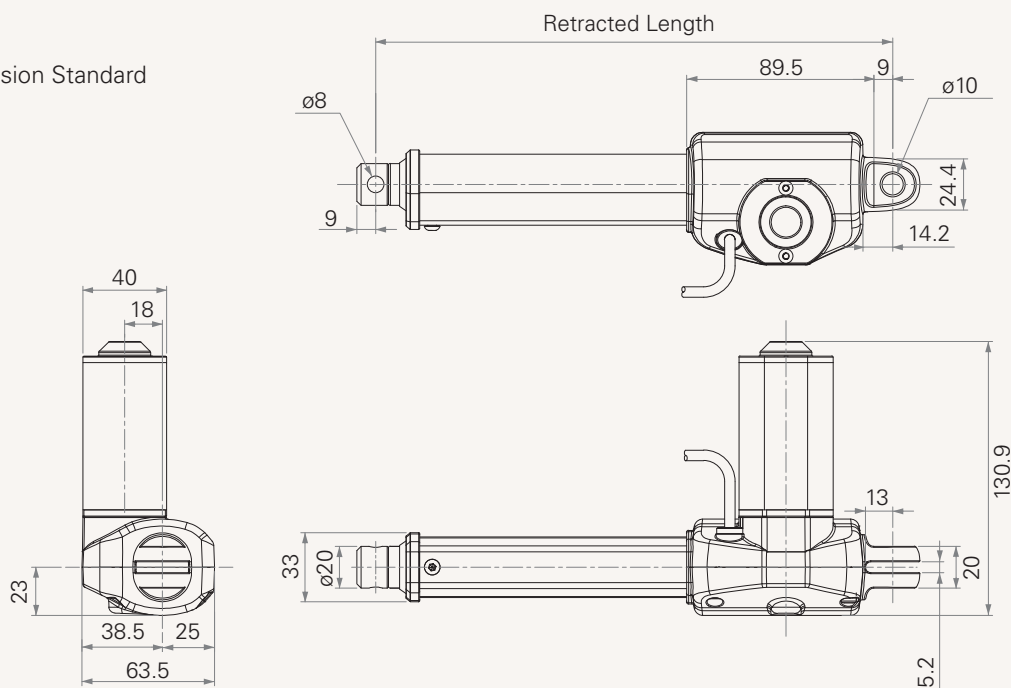
For customers in furniture industry, we offer another alternative designed solution-TA9. TA9 equips a gear box made of plastic which loads up merely to 250KG. If a customer is looking for a solution that needs small dimension space and with competitive price, we strongly recommend our TA9 as your ideal choice.

General Features

Voltage of motor	12V DC or 24V DC
Maximum load	2,500N in push
Maximum load	1,500N in pull
Maximum speed	58mm/s
Minimum installation dimension	stroke+140mm
Color	black or grey
Certificate	EMC compliant
Protection class	IP42, IP54, or IP66
Options	Hall sensor

Drawing

Dimension Standard

**TA9 Load and Speed**

CODE	Rated Load		Self Locking N (Push)	Typical Current at Rated Load (A)	Typical Speed	
	Push N	Pull N			No Load (32V DC) mm/s	Rated Load (24V DC) mm/s
Motor Speed (4100RPM)						
A	2000	1500	2000	2.4	9.8	4.8
B	1500	1500	800	2.4	13.6	6.4
C	1000	1000	300	2.9	26	10.9
D	800	800	200	3	37	15.3
F	500	500	100	3	58	24
Motor Speed (3800RPM)						
G	2500	1500	2500	2.6	9.5	5
H	2000	1500	1250	2.6	13.3	7
I	1500	1500	500	3.6	26.2	11
K	1000	1000	250	3	36.5	16
L	700	700	150	2.9	57	24
Motor Speed (3300RPM)						
M	1500	1500	1500	1.8	8	4
N	1000	1000	800	1.8	11.2	5.9
O	500	500	300	1.4	21.6	11.3
P	400	400	200	1.4	30	15.7
Q	300	300	100	1.4	47	24.5
Motor Speed (2200RPM)						
V	2000	1500	2500	1.3	5.7	2.6
R	1500	1500	2000	1.3	8.2	3.7
S	1000	1000	1000	1.5	15.4	6
T	700	500	250	1.3	22.8	10
U	500	300	150	1.3	36	16

Note

- 1 The left diagram shows the average speed and current figures (Variable +15%).
- 2 Speed would be the same if with 12V motor, but with double current consumption comparing 24V motor.

Terms of Use

The user is responsible for determining the suitability of TiMOTION products for a specific application.

Due to continuous development in order to improve our products, TiMOTION products are subject to frequent modifications and changes without prior notice.

TiMOTION reserves the right to discontinue the sale of any products displayed on its website or listed in its catalogue or other written materials drawn up by TiMOTION.

TA9

<input type="checkbox"/>	Voltage	1 = 12V 2 = 24V	
<input type="checkbox"/>	Load and Speed	See appendix	
<input type="checkbox"/>	Stroke		
<input type="checkbox"/>			
<input type="checkbox"/>			
<input type="checkbox"/>	Retracted Length	Stroke+140mm (For front attachment 1, 2) Stroke+153mm (For front attachment 3, 4)	Note : Left stroke is based on 200mm ; +5mm retracted length for each additional 50mm stroke
<input type="checkbox"/>			
<input type="checkbox"/>			
<input type="checkbox"/>	Rear Attachment	1 = Hole 8mm, slot 5mm	
<input type="checkbox"/>	Front Attachment	1 = Hole 8mm 3 = U clevis, slot 6mm, hole 8mm	A = Customized
<input type="checkbox"/>	Color	1 = Black 2 = Grey (Pantone 428C)	
<input type="checkbox"/>	IP Protection	1 = IP42 2 = IP54 3 = IP66	
<input type="checkbox"/>	Special Functions for Spindle Sub-Assembly	0 = Without (standard) 2 = Standard push only	
<input type="checkbox"/>	Functions for Limit Switches	1 = Two switches at the retracted/extended positions to cut current 2 = Two switches at the retracted/extended positions to cut current with the third one in between to send signal 3 = Two switches at the retracted/extended positions to send signal	4 = Two switches at the retracted/extended positions and the third one in between to send signal A = Customized
<input type="checkbox"/>	Output Signals	0 = Without 4 = One Hall Sensor 5 = Two Hall sensors	
<input type="checkbox"/>	Plug	1 = TiMOTION's standard 6pin plug 2 = Tinned leads	A = Customized
<input type="checkbox"/>	Cable Length	1 = Straight, 500mm 2 = Straight, 750mm 3 = Straight, 1000mm 4 = Straight, 1250mm 5 = Straight, 1500mm	6 = Straight, 2000mm 7 = Coiled, 200mm 8 = Coiled, 400mm A = Customized