

# TA6

series



## Product Segments

### • Comfort Motion

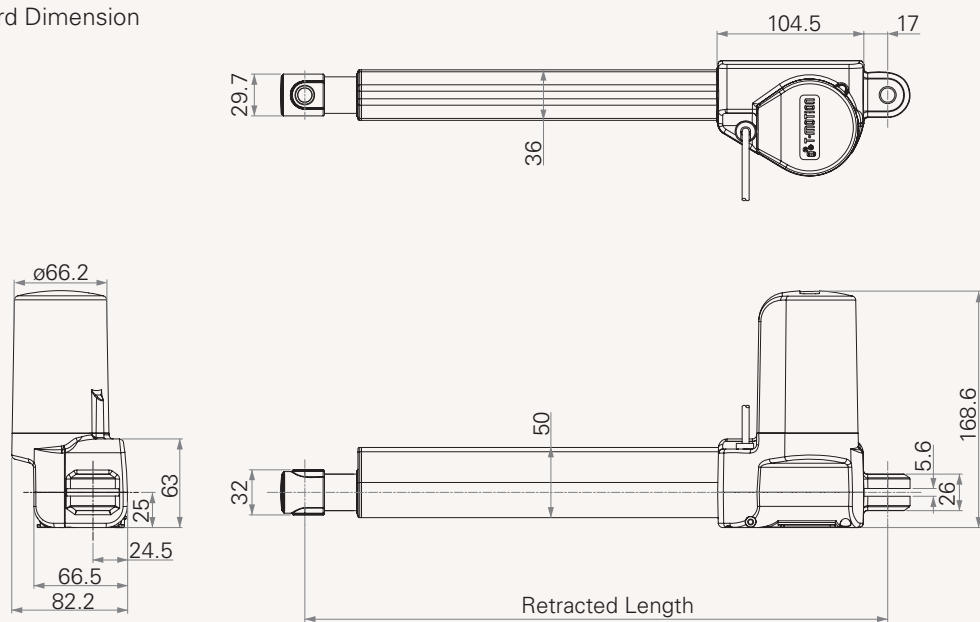
TA6 is one of Comfort Motion product segments, which can be used in lifting applications, such as recliner or lifting chair. Furthermore, the extensive application is movie theater seating.

#### General Features

Voltage of motor	12V DC, 24V DC, or 36V DC
Maximum load	6,000N in push
Maximum load	4,000N in pull
Maximum speed	38.2mm/s
Minimum installation dimension	stroke+163mm
Color	black
Certificate	EMC, ETL, and RoHS
Option	freewheeling push only, safety nut, Hall sensor(s)

**Drawing**

Standard Dimension

**Load and Speed**

CODE	Rated Load		Self Locking N (PUSH)	Typical Current at Rated Load (A)	Typical Speed	
	PUSH N	PULL N			No Load (32V DC) mm/s	Rated Load (24V DC) mm/s
<b>Motor Speed (2600RPM)</b>						
<b>C</b>	5000	4000	2500	3.5	7.6	3.9
<b>D</b>	6000	4000	4000	3.5	5.5	2.9
<b>F</b>	2500	2500	1500	3.2	15.9	8.3
<b>G</b>	2000	2000	1000	3.2	20.0	11.1
<b>H</b>	1000	1000	500	2.1	30.0	19.1
<b>J</b>	3500	3500	3500	3.6	11.1	5.5
<b>Motor Speed (3400RPM)</b>						
<b>L</b>	6000	4000	4000	4.2	7.0	3.9
<b>N</b>	2500	2500	1500	4.1	20.2	11.1
<b>O</b>	2000	2000	1000	4.0	26.0	14.9
<b>P</b>	1000	1000	500	3.0	38.2	23.2
<b>Q</b>	3500	3500	3500	4.6	14.3	7.6
<b>T</b>	5000	4000	2500	4.2	10.1	5.1
<b>Motor Speed (3800RPM)</b>						
<b>X</b>	6000	4000	4000	4.4	8.3	5.2

**Note**

- 1 The left diagram shows the speed and current figures under pushing condition.
- 2 Speed would be the same if with 12V motor, but with double current consumption comparing 24V motor.
- 3 The self locking force above need to work with TiMOTION control system.

**Terms of Use**

The user is responsible for determining the suitability of TiMOTION products for a specific application.

Due to continuous development in order to improve our products, TiMOTION products are subject to frequent modifications and changes without prior notice.

TiMOTION reserves the right to discontinue the sale of any products displayed on its website or listed in its catalogue or other written materials drawn up by TiMOTION.

**Additional retracted length**

TA Series	Safety Stroke Limit (mm)	Additional Stroke (mm)	Additional Invalid Length (mm)
TA1	300	0<additional stroke≤50	5
TA1 (6000N)	200	0<additional stroke≤50	5
TA1 (8000N) up	150	0<additional stroke≤50	5
TA2	300	0<additional stroke≤50	10
TA2P	300	0<additional stroke≤50	10
TA4	200	0<additional stroke≤50	5
TA6	300	0<additional stroke≤50	5
TA6 (6000N)	200	0<additional stroke≤50	5
TA7	300	0<additional stroke≤50	5
TA7 (6000N)	200	0<additional stroke≤50	5
TA7 (8000N) up	150	0<additional stroke≤50	5
TA9	200	0<additional stroke≤50	5
TA10	300	0<additional stroke≤50	5
TA10 (6000N)	200	0<additional stroke≤50	5
TA12	300	0<additional stroke≤50	10
TA12 (7000N)	300	0<additional stroke≤50	10
TA12 (12000N)	300	0<additional stroke≤50	10
TA13	300	0<additional stroke≤50	10
TA16	200	0<additional stroke≤50	5

**Note**

- 1 Above stroke recommendation is based on safety stroke limit, for each additional 50mm stroke, it needs to add 5mm for the retracted length.

**For example**

- 1 If TA9's stroke is 201mm, the retracted length = 201mm+invalid length+5mm.  
2 If TA9's stroke is 300mm, the retracted length = 300mm+invalid length+10mm.

TA6

Version: 20130719-0

<input type="checkbox"/>	<b>Voltage</b>	1 = 12V	2 = 24V	3 = 36V
<input type="checkbox"/>	<b>Load and Speed</b>	See appendix		
<input type="checkbox"/>	<b>Stroke</b>			
<input type="checkbox"/>	<b>Retracted Length</b>	Stroke+163mm (for front attachment 1, 2, 5, 6) Stroke+180mm (for front attachment 3, 4,B,C)		Stroke+175mm (for front attachment 7, 8)
		Note : before selecting retracted length, please refer to the additional retracted length chart		
<input type="checkbox"/>	<b>Rear Attachment</b>	1 = Plastic U clevis, slot 5.2mn, hole 10.2mm		
<input type="checkbox"/>	<b>Front Attachment</b>	1 = Punched hole on the tube with plastic cover on, width 32mm, hole 10.2mm 2 = Punched hole on the tube with plastic cover on, width 32mm, hole 12.2mm 3 = Plastic attachment, width 30mm, with slot 8.2mm, hole 10.2mm (recommended for push application under 400kg & pull under 250kg) 4 = Plastic attachment, width 30mm, with slot 8.2mm, hole 12.2mm (recommended for push application under 400kg & pull under 250kg) 5 = Punched hole on the tube, width 26mm, hole 10.2mm	6 = Punched hole on the tube, width 26mm, hole 12.2mm 7 = Short casting attachment, width 26mm, with slot 6.2mm, hole 10.2mm 8 = Short casting attachment, width 26mm, with slot 6.2mm, hole 12.2mm B = Long casting attachment, width 30mm, with slot 8.2mm, hole 10.2mm C = Long casting attachment, width 30mm, with slot 8.2mm, hole 12.2mm A = Customized	
<input type="checkbox"/>	<b>Color</b>	1 = Black		
<input type="checkbox"/>	<b>Special Functions for Spindle Sub-Assembly</b>	0 = Without 1 = Safety nut 2 = Standard push only	3 = Safety nut and standard push only 4 = Freewheeling push only (retracted length will be extended by 15mm) 5 = Safety nut and freewheeling push only (retracted length will be extended by 15mm)	
		Note 1 : when rated load ≥6000N, it can't choose #2 Note 2 : when rated load ≥8000N, it can't choose #0, #2		
<input type="checkbox"/>	<b>Functions for Limit Switches</b>	1 = Two switches at the retracted/extended positions to cut current 2 = Two switches at the retracted/extended positions to cut current with the third one in between to send signal	3 = Two switches at the retracted/extended positions to send signal 4 = Two switches at the retracted/extended positions and the third one in between to send signal A = Customized	
<input type="checkbox"/>	<b>Output Signals</b>	0 = Without	1 = One Hall sensor	2 = Two Hall sensors
<input type="checkbox"/>	<b>Plug</b>	1 = TiMOTION's standard 6pin plug	2 = Tinned leads	A = Customized
<input type="checkbox"/>	<b>Cable Length</b>	0 = Straight, 100mm 1 = Straight, 500mm 2 = Straight, 750mm	3 = Straight, 1000mm 4 = Straight, 1250mm 5 = Straight, 1500mm	6 = Straight, 2000mm 7 = Coiled, 200mm 8 = Coiled, 400mm A = Customized