

TA4

series



Product Segments

- **Auto Motion**
- **Ergo Motion**

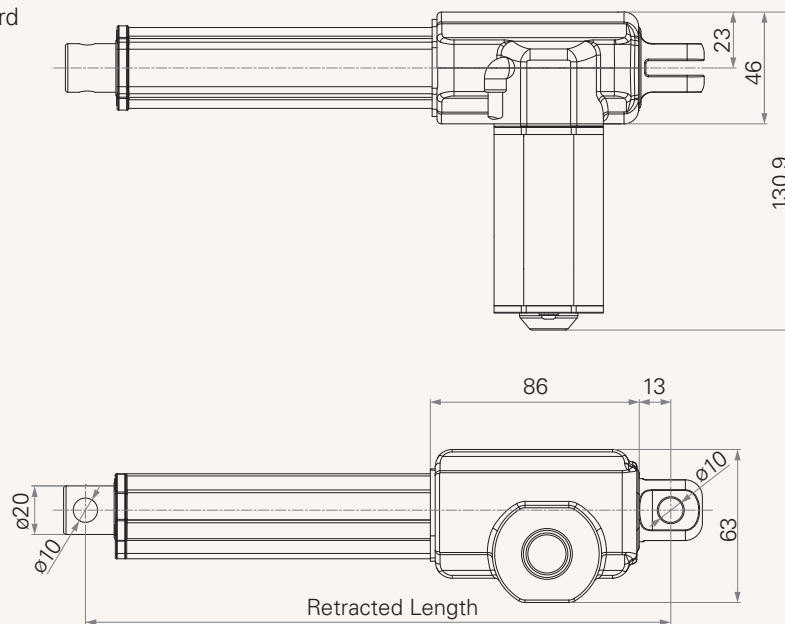
Our TA4 is a quiet and powerful linear actuator designed for either industrial or desk applications, ranging from computer carts to office table applications. TA4 fits into very narrow places.

General Features

Voltage of motor	12V DC or 24V DC
Maximum load	3,500N in pull/push
Maximum speed	40mm/s
Minimum installation dimension	stroke+140mm
Color	silver
Protection class	IP42, IP54 or IP66
Certificate	IEC60601-1 (3 rd medical electrical equipment), ES60601-1, RoHS compliant
Options	Hall sensor
Low noise	

Drawing

Dimension Standard

**TA4 Load and Speed**

CODE	Rated Load Push N	Typical Current at Rated Load (A)	Typical Speed	
			No Load (32V DC) mm/s	Rated Load (24V DC) mm/s
Motor Speed (4300RPM)				
A	2000	2.8	10	4.8
B	1500	2.8	14	6
C	1000	3.2	27	11
D	800	3.2	40	17
E	3500	3.2	6.5	3
Motor Speed (3800RPM)				
G	2500	2.8	9.3	5.2
H	2000	3	13.2	6.9
I	1500	4	26.4	10.8
J	3500	3.2	5.8	2.8
Motor Speed (3100RPM)				
M	1500	1.8	7.9	3.8
N	1000	1.8	11.2	6.1
O	500	1.8	23.1	14.5
Motor Speed (2100RPM)				
R	1500	1.5	7.8	3.7
S	1000	1.5	15.2	6.6

Note

- The left diagram shows the speed and current figures under pushing condition.
- Speed would be the same if with 12V motor, but with double current consumption.

Terms of Use

The user is responsible for determining the suitability of TiMOTION products for a specific application.

Due to continuous development in order to improve our products, TiMOTION products are subject to frequent modifications and changes without prior notice.

TiMOTION reserves the right to discontinue the sale of any products displayed on its website or listed in its catalogue or other written materials drawn up by TiMOTION.

TA4

Version: 20121221-I

<input type="checkbox"/>	Voltage	1 = 12V	2 = 24V
<input type="checkbox"/>	Load and Speed	See appendix	
<input type="checkbox"/>	Stroke		
<input type="checkbox"/>	Retracted Length	Stroke+140mm (for front attachment 1,2)	Stroke+160mm (for front attachment 3,4,5)
<input type="checkbox"/>	Rear Attachment	1 = Slot 6mm, hole 6.4mm 2 = Slot 6mm, hole 8mm	3 = Slot 6mm, hole 10mm A = Customized
<input type="checkbox"/>	Front Attachment	1 = Hole 6.4mm 2 = Hole 8mm 3 = U clevis, slot 6mm, hole 10mm	4 = U clevis, slot 6mm, hole 6.4mm 5 = U clevis, slot 6mm, hole 8mm A = Customized
<input type="checkbox"/>	Direction of Rear Attachment	1 = 0°	2 = 90°
<input type="checkbox"/>	IP Protection	1 = IP42	2 = IP54 3 = IP66
<input type="checkbox"/>	Special Functions for Spindle Sub-Assembly	0 = Without (standard)	2 = Push only
<input type="checkbox"/>	Functions for Limit Switches	1 = Two switches at the retracted/extended positions to cut current 2 = Two switches at the retracted/extended positions to cut current with the third one in between to send signal 3 = Two switches at the retracted/extended positions to send signal	4 = Two switches at the retracted/extended positions and the third one in between to send signal A = Customized
<input type="checkbox"/>	Output Signals	0 = Without	4 = One Hall Sensor 5 = Two Hall sensors
<input type="checkbox"/>	Plug	1 = TiMOTION's standard 6pin plug	2 = Tinned leads A = Customized
<input type="checkbox"/>	Cable Length	1 = 300mm	2 = 600mm 3 = 1000mm A = Customized