

TA3 Series



Auto-motion

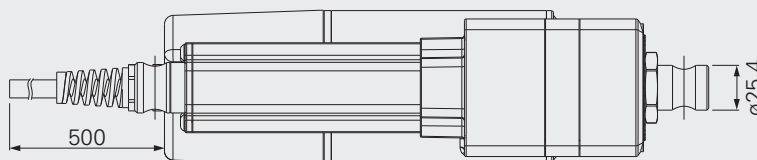
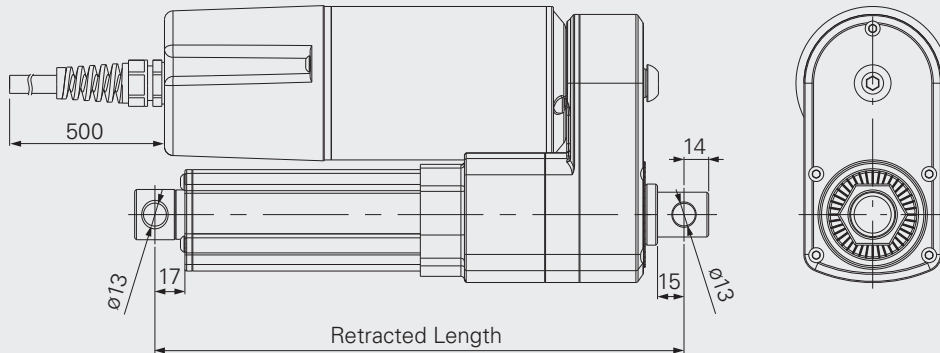
Feature

- Spindle: ACME or ball screw
- Voltage of motor: 12V DC, 24V DC, 36V DC, 110V AC, or 230V AC
- Maximum load: 4,500N in pull/push
- Maximum speed: 75mm/s
- Minimum installation dimension: stroke+160mm (without Potentiometer signals and mechanical brake)
- Minimum installation dimension: stroke+196mm (with Potentiometer signals but without mechanical brake)
- Color: black
- Mechanical or electromagnetic brake
- Protection class: IP66
- Options: overload clutch, Hall sensor, Potentiometer, manual crank function
- Test under change of temperature, dry heat, salt spray, chemicals, vibration, bump, shock...etc.
- Heavy duty cycle (20%)
- Corrosion proof

TA3-A Load and Speed											
Code	Gear ratio	Load (N)	Current at full load (A)			Speed at no load (mm/s)			Speed at full load (mm/s)		
			24V DC	110V AC	230V AC	24V DC	110V AC	230V AC	24V DC	110V AC	230V AC
B	10:1	1500	6.5	2.1	1.1	38	28	28	24	27	27
C	20:1	2500	6	1.8	0.9	20	16	16	12	13	13

TA3-B Load and Speed											
Code	Gear ratio	Load (N)	Current at full load (A)			Speed at no load (mm/s)			Speed at full load (mm/s)		
			24V DC	110V AC	230V AC	24V DC	110V AC	230V AC	24V DC	110V AC	230V AC
A	5:1	2300	10	2.6	1.3	75	56	56	35	48	48
B	10:1	3500	9	2.6	1.3	36	30	30	22	25	25
C	20:1	4500	7	2	1	21	15	15	13	12	12

Remark: 1. The above are the speed and current figures under pushing condition.
 2. Speed would be the same if with 12VDC motor, but with double current consumption comparing 24VDC motor; speed would be the same if with 36VDC motor, but 2/3 current consumption comparing 24VDC motor.



TA3 Ordering Key:

www.ti-motion.ru timotion@ya.ru

Version: E

REV.E	1	2	3	-	X	X	X	X	-	X	X	X	X	-	X	X	X	-	X	X	X	X	X
Spindle																							
ACME SCREW					A																		
BALL SCREW					B																		
Voltage																							
12VDC																							
24VDC																							
36VDC																							
110VAC 60HZ																							
230VAC 50HZ																							
Overload clutch																							
Without																							
With (standard)																							
Mechanical brake																							
Without																							
With (Ball Screw's standard option)																							
Electronic brake																							
Without (standard)																							
With																							
Load and speed																							
See appendix																							
Stroke																							
See appendix																							
Retracted length																							
See appendix																							
Rear attachment																							
Hole 13mm																							
Customized																							
Front attachment																							
Hole 13mm																							
Customized																							
IP protection																							
IP66 (dynamic, continuous)																							
Manual override																							
Without																							
With																							
Direction of rear attachment																							
90° (standard)																							
0°																							
Output signals																							
Without																							
Potentiometer																							
One Hall sensor																							
Two Hall sensors																							
Plug																							
Stripped wires																							
Customized																							
Cable length																							
500mm																							
Customized																							

Version	Date	Description
E	2012/12/3	1. Adjust the output signal option. 2. Adjust the retracted length option 3. Adjust the load and speed option

Printed: Dec. 2012

Appendix:

Minimum Retracted Length

TA3 - Minimum Retracted Length (DC motor)			
Model		Without Potentiometer	With Potentiometer
TA3-A	Without mechanical brake	Stroke+160mm	Stroke+196mm
	With mechanical brake	Stroke+195mm	Stroke+231mm
TA3-B	With mechanical brake	Stroke+201mm	Stroke+241mm

TA3 - Minimum Retracted Length (AC motor)			
Model		Without Potentiometer	With Potentiometer or Hall
TA3-A	Without mechanical brake	Stroke+160mm	Stroke+196mm
	With mechanical brake	Stroke+195mm	Stroke+231mm
TA3-B	With mechanical brake	Stroke+201mm	Stroke+241mm