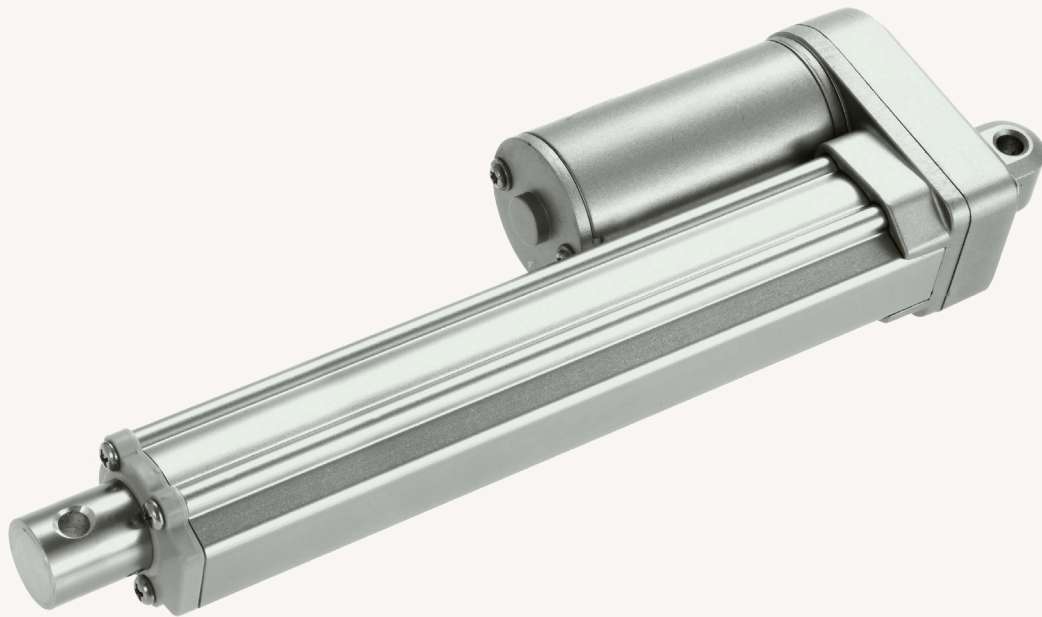


TA2

series



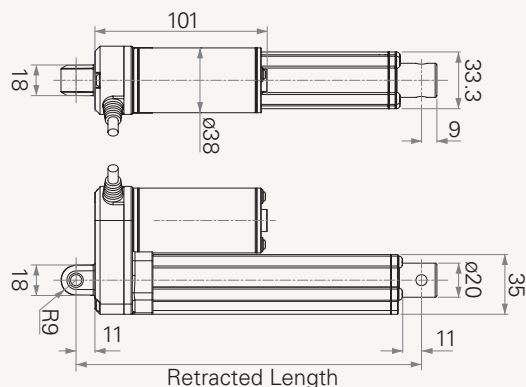
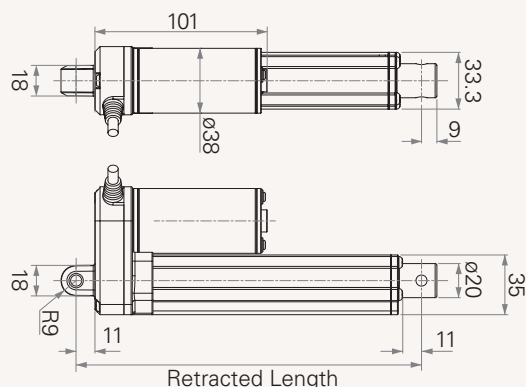
Product Segments

• Auto Motion

TA2 is one of the Auto Motion series products. With its compact size, TA2 is perfect for use in small spaces without sacrificing power or capability. The typical application is construction machinery, ventilation system, or food and beverage automation...etc.

General Features

Voltage of motor	12V DC, 24V DC, 36V DC, or 48V DC
Maximum load	1,000N in pull/push
Maximum speed	64mm/s
Minimum installation dimension	stroke+105mm (without output signals)
Minimum installation dimension	stroke+135mm (with output signals)
Color	silver
Certificate	IEC60601-1, EMC and RoHS compliant
Options	potentiometer, optical, Hall/Reed sensor
Compact size for limited space	

DrawingDimension Without
Output SignalsDimension with
Output Signals**TA2 Load and Speed**

CODE	Gear Ratio	Max. Load (Pull/Push) N	Max. Current		Speed		
			Full Load 12V	Full Load 24V	No Load	Full Load 12V	Full Load 24V
A	5:1	120	2.2	1.2	44	33	32
B	10:1	240	2.2	1.2	22	15	16
C	20:1	500	2	1	11	8	8.8
D	30:1	750	2	1	7.5	5.5	6.2
E	40:1	1000	2	1	5.5	4	4.5
F	5:1	120	3.4	1.8	64	49.5	47
G	10:1	240	3.4	1.8	32	22.5	23.6
H	20:1	500	3	1.5	16	12	13
K	30:1	750	3	1.5	10	8	9
L	40:1	1000	3	1.5	8	6	6.5

Terms of Use

The user is responsible for determining the suitability of TiMOTION products for a specific application.

Due to continuous development in order to improve our products, TiMOTION products are subject to frequent modifications and changes without prior notice.

TiMOTION reserves the right to discontinue the sale of any products displayed on its website or listed in its catalogue or other written materials drawn up by TiMOTION.

TA2 Minimum Retracted Length

Stroke	Without Output Signals	With Output Signal
--------	------------------------	--------------------

for Front Attachment 1,2 with Rear Attachment 1,2,3

25~50mm		
51~100mm	Stroke+105mm	Stroke+135mm
101~150mm		
151~200mm		
201~250mm	Stroke+107mm	Stroke+137mm
251~300mm		

Stroke	Without Output Signals	With Output Signal
--------	------------------------	--------------------

for Front Attachment 3,4,5 with Rear Attachment 1,2,3

25~50mm		
51~100mm	Stroke+115mm	Stroke+145mm
101~150mm		
151~200mm		
201~250mm	Stroke+117mm	Stroke+147mm
251~300mm		

Stroke	Without Output Signals	With Output Signal
--------	------------------------	--------------------

for Front Attachment 1,2 with Rear Attachment 4,5,6

25~50mm		
51~100mm	Stroke+109mm	Stroke+139mm
101~150mm		
151~200mm		
201~250mm	Stroke+111mm	Stroke+142mm
251~300mm		

Stroke	Without Output Signals	With Output Signal
--------	------------------------	--------------------

for Front Attachment 3,4,5 with Rear Attachment 4,5,6

25~50mm		
51~100mm	Stroke+119mm	Stroke+149mm
101~150mm		
151~200mm		
201~250mm	Stroke+121mm	Stroke+151mm
251~300mm		

TA2

Version: 20120306-G

<input type="checkbox"/>	Voltage	1 = 12V	2 = 24V	3 = 36V	4 = 48V
<input type="checkbox"/>	Load and Speed	See Appendix			
<input type="checkbox"/>	Stroke				
<input type="checkbox"/>					
<input type="checkbox"/>					
<input type="checkbox"/>	Retracted Length	See Appendix			
<input type="checkbox"/>					
<input type="checkbox"/>					
<input type="checkbox"/>	Rear Attachment	1 = Hole 6.4mm 2 = Hole 8mm 3 = Hole 10mm 4 = Slot 6mm, hole 6.4mm	5 = Slot 6mm, hole 8mm 6 = Slot 6mm, hole 10mm A = Customized		
<input type="checkbox"/>	Front Attachment	1 = Hole 6.4mm 2 = Hole 8mm 3 = Slot 6mm, hole 10mm	4 = Slot 6mm, hole 6.4mm 5 = Slot 6mm, hole 8mm A = Customized		
<input type="checkbox"/>	Direction of Rear Attachment	1 = 90°	2 = 0°		
<input type="checkbox"/>	Functions for Limit Switches	1 = Two switches at the retracted/extended positions to cut current 2 = Two switches at the retracted/extended positions to cut current with the third one in between to send signal 3 = Two switches at the retracted/extended positions to send signal	4 = Two switches at the retracted/extended positions and the third one in between to send signal A = Customized		
<input type="checkbox"/>	Output Signals	0 = Without 1 = Potentiometer	2 = Optical 3 = Reed	4 = One Hall sensor 5 = Two Hall sensors	
<input type="checkbox"/>	Plug	1 = TiMOTION's standard 6pin plug	2 = Tinned leads	A = Customized	
<input type="checkbox"/>	Cable Length	1 = Straight, 300mm	2 = Straight, 600mm	3 = Straight, 1000mm	A = Customized