

**Care-motion**

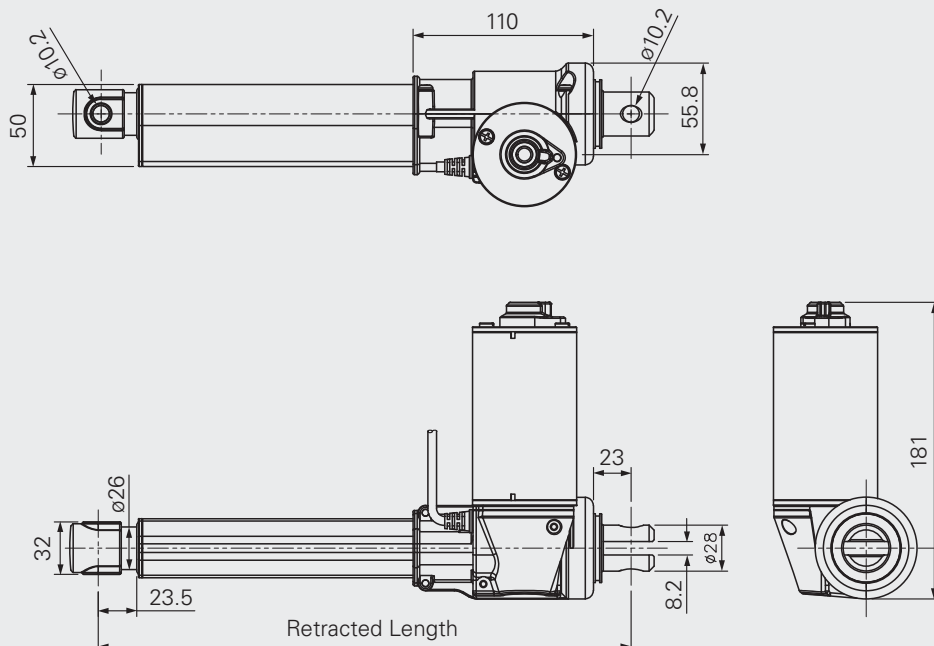
**Feature**

- Voltage of motor: 12V DC , 24V DC, or 36 V DC
- Maximum load: 8,000N in push
- Maximum load: 4,000N in pull
- Maximum speed: 10.7mm/s
- Minimum installation dimension: Stroke +185mm
- Color: black or grey
- Options: manual release, Hall sensors, push only (limited for push application)
- Suitable for dentist chair application

Appendix						
Code	Rated Load		Self Locking (Push) (N)	Typical Current at Rated Load (A)	Typical Speed	
	Push (N)	Pull (N)			No Load 32V DC (mm/s)	Rated Load 24V DC (mm/s)
Motor Speed (4000RPM)						
C	8000	4000	8000	7.5	10.7	6
Motor Speed (3000RPM)						
T	8000	4000	8000	6	8.4	4.4

**Remark**

1. The above are the speed and current figures under pushing condition.
2. The self locking in the chart are under one motor brake or one 4 1/2 spring coil. The self locking force while using motor brake is equal to the rated load.



# TA13 Ordering Key:

Version: B

REV. B	A	1	3	X	X	X	X	X	X	X	X	X	X	X	X	X	X	X	X
<b>Voltage</b>																			
24V			2																
36V			3																
<b>Load and speed</b>																			
See appendix																			
<b>Stroke</b>																			
<b>Retracted length</b>																			
Stroke +185mm																			
Remark 1: If stroke>200mm:+20mm retracted length for each additional 50mm stroke																			
Remark 2: If with manual release: +78mm retracted length																			
<b>Rear attachment</b>																			
U clevis, slot 8.2 mm, hole 10.2mm																			1
U clevis, slot 8.2 mm, hole 12.2mm																			2
U clevis, slot 10.2 mm, hole 10.2mm																			3
U clevis, slot 10.2 mm, hole 12.2mm																			4
(1~4 by CNC)																			
Customized																			A
<b>Front attachment</b>																			
U clevis, slot 8.2 mm, hole 10.2mm																			1
U clevis, slot 8.2 mm, hole 12.2mm																			2
U clevis, slot 10.2 mm, hole 10.2mm																			3
U clevis, slot 10.2 mm, hole 12.2mm																			4
(1~4 by CNC)																			
Customized																			A
<b>Direction of rear attachment (counterclockwise)</b>																			
0°																			1
90°																			3
<b>Color (cable cord)</b>																			
Black																			1
Grey (Pantone 428C)																			2
<b>Manual release</b>																			
Without																			0
With																			1
<b>Special functions for spindle sub-assembly (only for PUSH application)</b>																			
Without (standard)																			0
With Safety nut																			1
Standard push only																			2
Safety nut and standard push only																			3
<b>Functions for limit switches</b>																			
Two switches at the retracted/extended positions to cut current.																			1
Two switches at the retracted/extended positions to cut current with the third one in between to send signal.																			2
Two switches at the retracted/extended positions to send signal.																			3
Two switches at the retracted/extended positions and the third one in between to send signal.																			4
Customized																			A
<b>Output signals</b>																			
Without sensor																			0
One Hall sensor																			1
Two Hall sensors																			2
Reed Sensor																			3
<b>Plug</b>																			
TiMOTION's standard 6pin plug																			1
Tinned leads																			2
Customized																			A
<b>Cable length</b>																			
Straight, 500mm																			1
Straight, 750mm																			2
Straight, 1000mm																			3
Straight, 1250mm																			4
Straight, 1500mm																			5
Straight, 2000mm																			6
Coiled, 200mm																			7
Coiled, 400mm																			8
Customized																			A

Version	Date	Description
B	2013/1/2	1.Revise option voltage. 2.Revise option plug. 3.Revise option signal output. 4.Revise option manual release. 5.Revise option cable length. 6.Revise option load and speed appendix.