

# TA12

## series



### Product Segments

#### • Care Motion

Patient lifts need to focus on safety, reliability and effortless operation. This is why we create our actuator-TA12 which will fulfill what nurses and patients need while trying to move a patient from the bed to a wheelchair or from the wheelchair to the toilet. Additionally, TA12 is also suitable for bariatric beds, which will meet the needs of the caregivers and patients themselves. Especially, there are several challenges that bariatric beds could face, such as turning and repositioning to prevent pressure sores, transferring in and out of a bed or chair, assisting with bathing and toileting, and supporting a limb while performing patient handling tasks...etc.

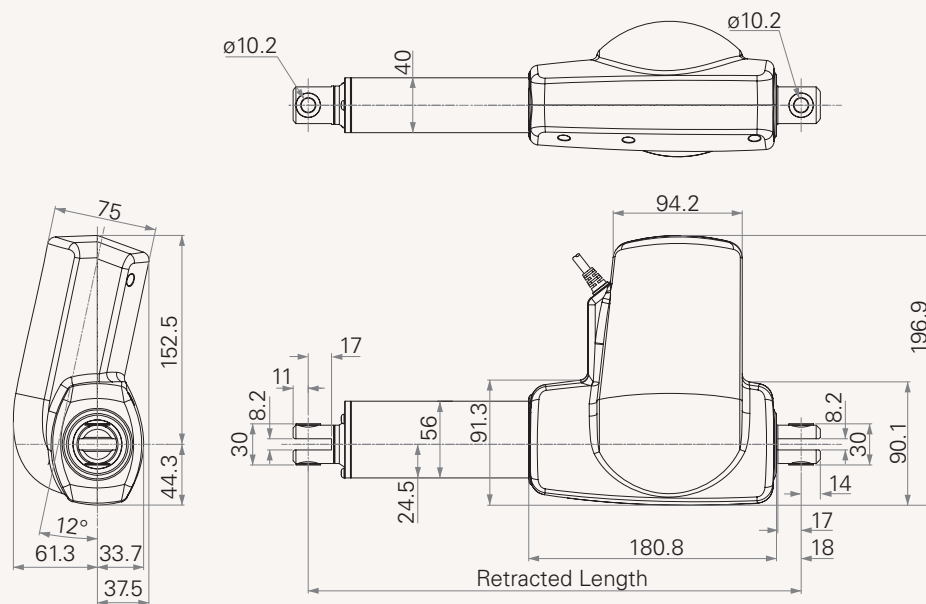
One of its significant features is TA12 has manual release function that can turn the inner tube down by hand, in case of emergency, or if electrical power is not available.

#### General Features

Voltage of moto	12V DC, 24V DC , or 36V DC
Maximum load	12,000N in push
Maximum load	6,000N in pull
Maximum speed	52mm/s
Minimum installation dimension	stroke+210mm
Color	black or grey
Protection class	IP42, IP54, or IP66
Certificate	UL/EN60601-1 compliant
Options	safety nut, Hall/Reed/POT sensor, manual release

**Drawing**

Dimension Standard



**TA12 Load and Speed**

CODE	Rated Load		Self Locking N (Push)	Typical Current at Rated Load (A)	Typical Speed	
	Push N	Pull N			No Load (32V DC) mm/s	Rated Load (24V DC) mm/s

**Motor Speed (4000RPM)**

<b>B</b>	12000	6000	12000	8.5	7	4
<b>C</b>	7000	6000	7000	8.5	13	8
<b>D</b>	4000	4000	4000	8.5	26	16
<b>E</b>	3000	3000	3000	8.5	40	24
<b>F</b>	2000	2000	2000	8.5	52	32

**TA12 Maximum stroke if with POT sensor**

Load & Speed CODE	Maximum stroke (mm)	Resolution $\Omega$ /mm
<b>B</b>	200	46.62
<b>C</b>	410	22.73
<b>D</b>	615	15.15
<b>E</b>	820	11.36
<b>F</b>	820	11.36

**Note**

- 1 The left diagram shows the speed and current figures under pushing condition.
- 2 Speed would be the same if with 12V motor, but with double current consumption.

**Terms of Use**

The user is responsible for determining the suitability of TiMOTION products for a specific application.

Due to continuous development in order to improve our products, TiMOTION products are subject to frequent modifications and changes without prior notice.

TiMOTION reserves the right to discontinue the sale of any products displayed on its website or listed in its catalogue or other written materials drawn up by TiMOTION.

TA12

Version: 20121221-D

<input type="checkbox"/>	<b>Voltage</b>	1 = 12V      2 = 24V      3 = 36V
<input type="checkbox"/>	<b>Load and Speed</b>	See appendix
<input type="checkbox"/>	<b>Stroke</b>	Note1 : If with POT sensor, please refer to appendix for maximum stroke Note2 : Stroke length must be multiple of 25mm
<input type="checkbox"/>	<b>Retracted Length</b>	Stroke + 220mm (for Load & Speed code B)      Note1 : If stroke>300mm: +10mm retracted length for each additional 50mm stroke Stroke + 210mm (for Load & Speed code C,D,E,F)      Note2 : If with manual release: +78mm retracted length Remark Note3 : If with standard push-only: +25mm retracted length
<input type="checkbox"/>	<b>Rear Attachment</b>	1 = U clevis, slot 8.2 mm, hole 10.2mm      4 = U clevis, slot 10.2 mm, hole 12.2mm 2 = U clevis, slot 8.2 mm, hole 12.2mm      A = Customized 3 = U clevis, slot 10.2 mm, hole 10.2mm
<input type="checkbox"/>	<b>Front Attachment</b>	1 = U clevis, slot 8.2 mm, hole 10.2mm      4 = U clevis, slot 10.2 mm, hole 12.2mm 2 = U clevis, slot 8.2 mm, hole 12.2mm      A = Customized 3 = U clevis, slot 10.2 mm, hole 10.2mm
<input type="checkbox"/>	<b>Direction of Rear Attachment (Counterclockwise)</b>	1 = 0°      3 = 90°
<input type="checkbox"/>	<b>Color</b>	1 = Black      2 = Grey (Pantone 428C)
<input type="checkbox"/>	<b>IP Protection</b>	1 = IP42      2 = IP54      3 = IP66
<input type="checkbox"/>	<b>Manual release</b>	0 = Without      1 = With
<input type="checkbox"/>	<b>Special Functions for Spindle Sub-Assembly (Only for PUSH Application)</b>	0 = Without (standard)      2 = Standard push only 1 = With Safety nut      3 = Safety nut and standard push only
<input type="checkbox"/>	<b>Functions for Limit Switches</b>	1 = Two switches at the retracted/extended positions to cut current
<input type="checkbox"/>	<b>Output Signals</b>	0 = Without sensor      1 = One Hall sensor      2 = Two Hall sensors      3 = Reed Sensor      4 = POT
<input type="checkbox"/>	<b>Plug</b>	1 = TiMOTION's standard 6pin plug      2 = Tinned leads      A = Customized
<input type="checkbox"/>	<b>Cable Length</b>	1 = Straight, 500mm      6 = Straight, 2000mm 2 = Straight, 750mm      7 = Coiled, 200mm 3 = Straight, 1000mm      8 = Coiled, 400mm 4 = Straight, 1250mm      A = Customized 5 = Straight, 1500mm