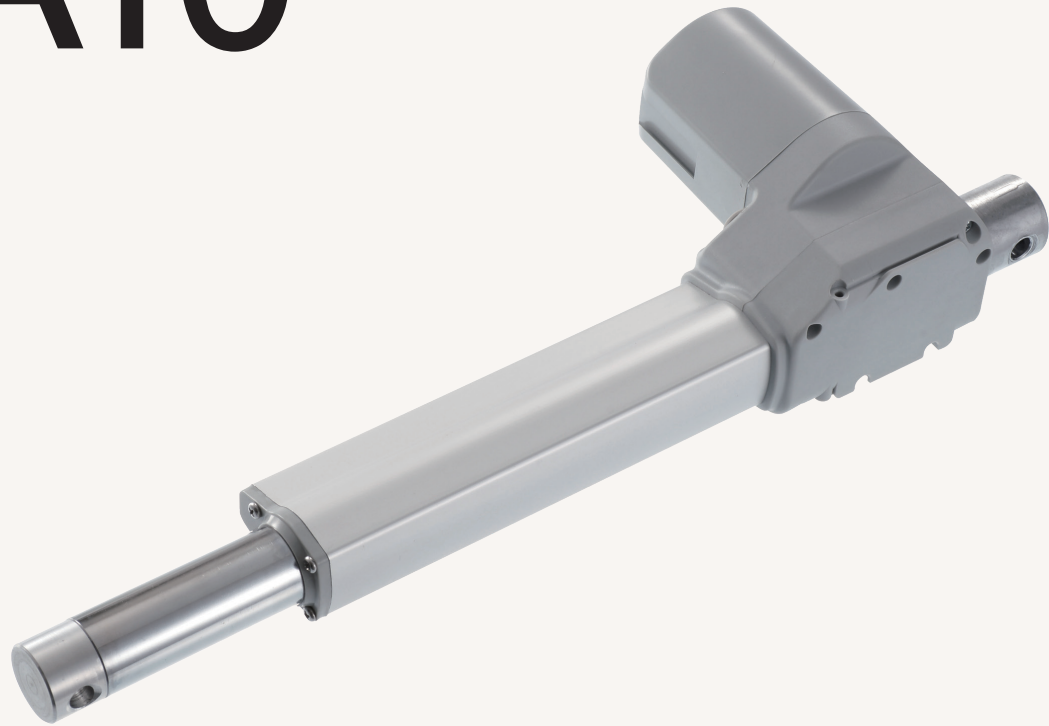


# TA10

## series



### Product Segments

#### • Care Motion

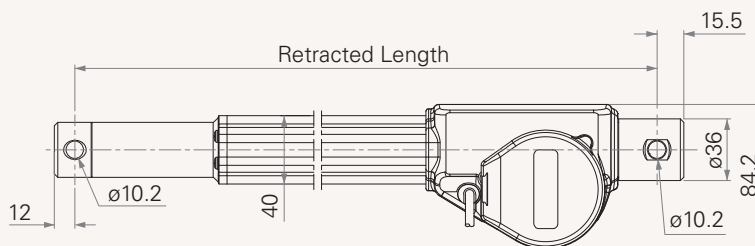
One of the significant features about our actuator-TA10 is designed with manual crank of rare attachment. For those looking for competitive solution, TA10 is the most suitable choice in medical application. With its manual crank, the medical staff can control the patient bed manually without extra effort.

#### General Features

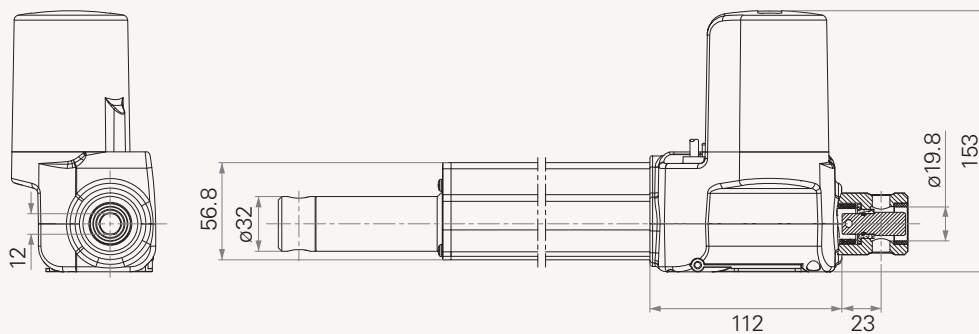
Voltage of motor	12V DC, 24V DC, or 36V DC
Maximum load	6,000N in push
Maximum load	4,000N in pull
Maximum speed	14.3mm/s
Minimum installation dimension	stroke+188mm
Color	black or grey
Protection class	IP42, IP54, or IP66
Options	Hall sensor
With manual crank function	

**Drawing**

Dimension Standard



With manual operation  
(rear attachment)



**TA10 Load and Speed**

CODE	Rated Load		Self Locking N (Push)	Typical Current at Rated Load (A)	Typical Speed	
	Push N	Pull N			No Load (32V DC) mm/s	Rated Load (24V DC) mm/s
<b>Motor Speed (2600RPM)</b>						
<b>D</b>	6000	4000	4000	3.5	5.5	2.9
<b>J</b>	3500	3500	3500	3.6	11.1	5.5
<b>Motor Speed(3400RPM)</b>						
<b>L</b>	6000	4000	4000	4.2	7	3.9
<b>Q</b>	3500	3500	3500	4.6	14.3	7.6
<b>Motor Speed(3800RPM)</b>						
<b>X</b>	6000	4000	4000	4.4	8.3	5.2

**Note**

- 1 The left diagram shows the speed and current figures under pushing condition.
- 2 Speed would be the same if with 12V motor, but with double current consumption comparing 24V motor.

**Terms of Use**

The user is responsible for determining the suitability of TiMOTION products for a specific application.

Due to continuous development in order to improve our products, TiMOTION products are subject to frequent modifications and changes without prior notice.

TiMOTION reserves the right to discontinue the sale of any products displayed on its website or listed in its catalogue or other written materials drawn up by TiMOTION.

TA10

Version: 20121127-A

<input type="checkbox"/>	<b>Voltage</b>	1 = 12V	2 = 24V	2 = 36V
<input type="checkbox"/>	<b>Load and Speed</b>	See appendix		
<input type="checkbox"/>	<b>Stroke</b>	Note : The stroke of electric operation is shorter than manual operation about 4mm. Please fill in the stroke of electric operation for this section.		
<input type="checkbox"/>	<b>Retracted Length</b>	Stroke+188mm (for front attachment 1, 2)		
<input type="checkbox"/>	<b>Rear Attachment</b>	1 = Casting hand crank rear attachment, hole 10.2mm	2 = Casting hand crank rear attachment, hole 12.2mm	
<input type="checkbox"/>	<b>Front Attachment</b>	1 = Casting, width 32mm, hole 10.2mm 2 = Casting, width 32mm, hole 12.2mm	A = Customized	
<input type="checkbox"/>	<b>Direction of Rear Attachment (Counterclockwise)</b>	1 = 0°	2 = 90°	
<input type="checkbox"/>	<b>Color</b>	1 = Black	2 = Grey (Pantone 428C)	
<input type="checkbox"/>	<b>IP Protection</b>	1 = IP42	2 = IP54	3 = IP66
<input type="checkbox"/>	<b>Functions for Limit Switches</b>	1 = Two switches at the retracted/extended positions to cut current 2 = Two switches at the retracted/extended positions to cut current with the third one in between to send signal 3 = Two switches at the retracted/extended positions to send signal	4 = Two switches at the retracted/extended positions and the third one in between to send signal A = Customized	
<input type="checkbox"/>	<b>Output Signals</b>	0 = Without	1 = One Hall Sensor	2 = Two Hall sensors
<input type="checkbox"/>	<b>Plug</b>	1 = TiMOTION's standard 6pin plug	2 = Tinned leads	A = Customized
<input type="checkbox"/>	<b>Cable Length</b>	0 = Straight, 100mm 1 = Straight, 500mm 2 = Straight, 750mm 3 = Straight, 1000mm 4 = Straight, 1250mm	5 = Straight, 1500mm 6 = Straight, 2000mm 7 = Coiled, 200mm 8 = Coiled, 400mm A = Customized	